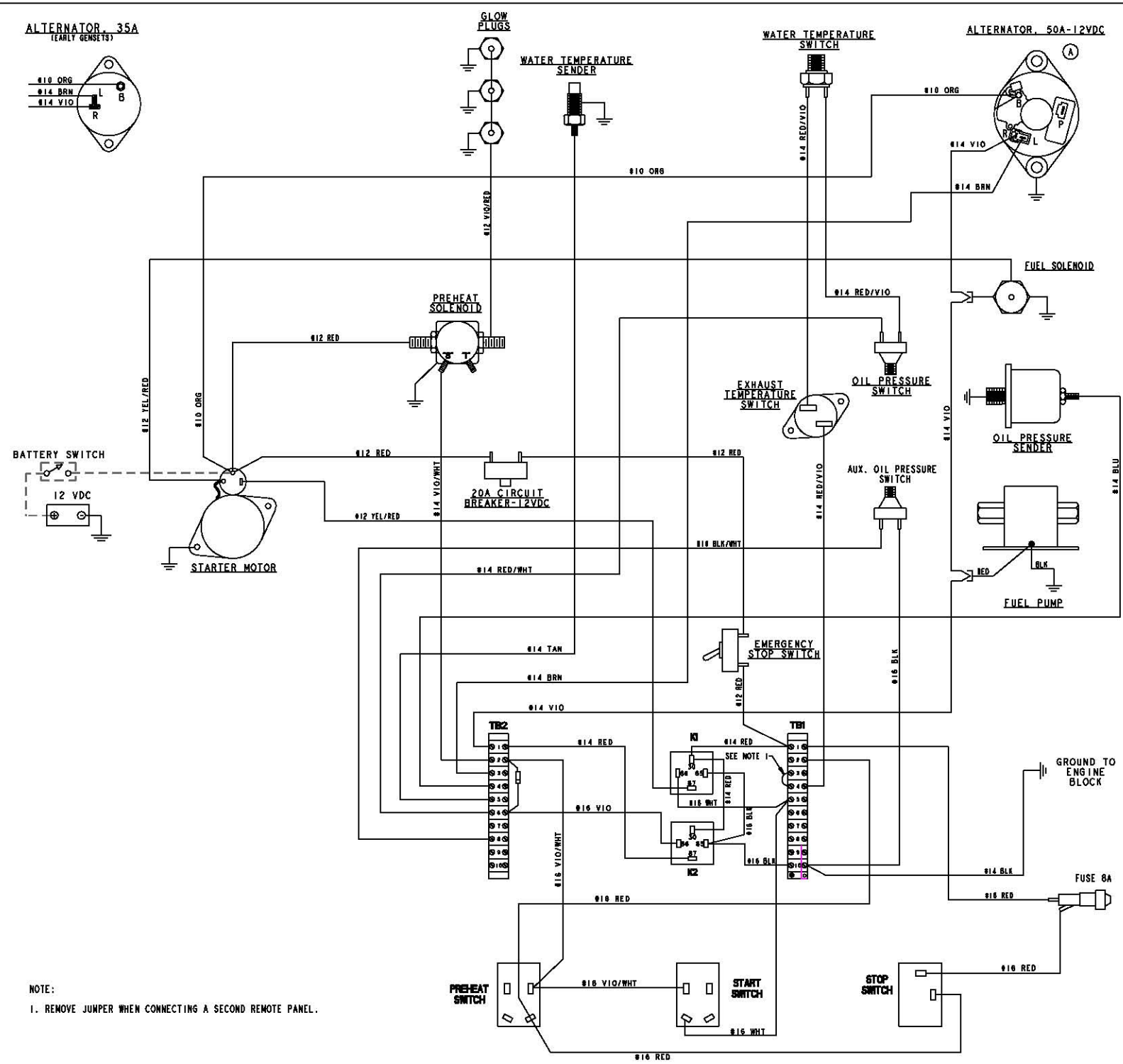
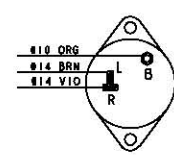
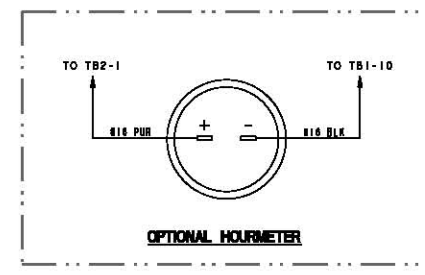
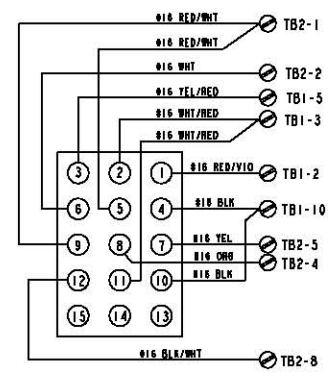


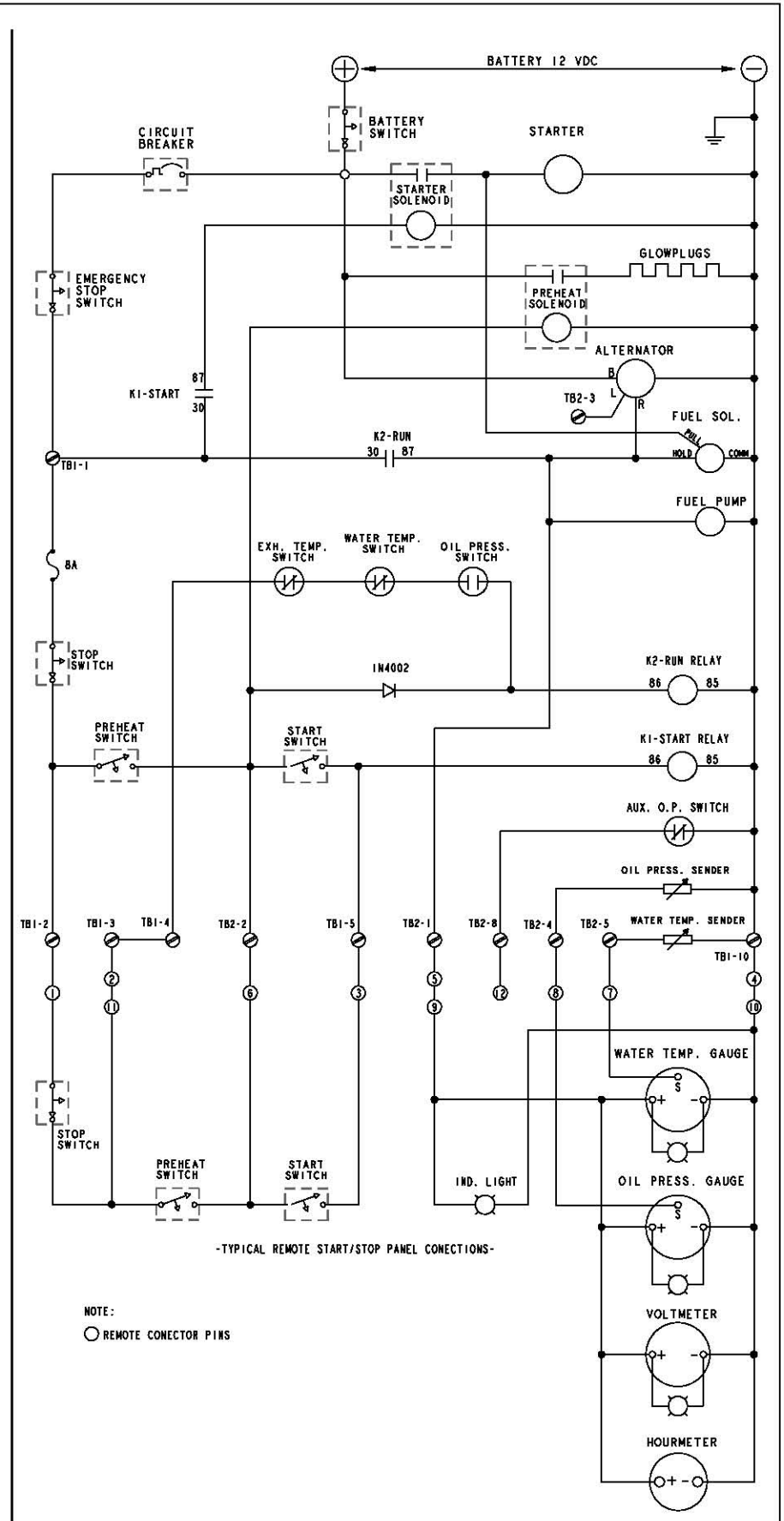
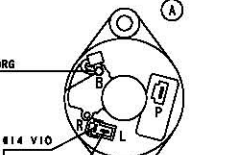
ALTERNATOR 35A
(EARLY GENSETS)



NOTE:
1. REMOVE JUMPER WHEN CONNECTING A SECOND REMOTE PANEL.



ALTERNATOR 50A-12VDC



-TYPICAL REMOTE START/STOP PANEL CONNECTIONS-

NOTE:
○ REMOTE CONNECTOR PINS

TOLERANCES		WESTERBEKE CORPORATION	
UNLESS OTHERWISE SPECIFIED		AVON MA. 02322	
INCHES	MILLIMETERS	WIRING DIAGRAM/SCHEMATIC	
±.0005	±.0127	7.6 BTD MINI - SRC	
±.0010	±.0254	DATE	REV.
±.0015	±.0381	DATE	REV.
±.0020	±.0508	DATE	REV.
±.0030	±.0762	DATE	REV.
±.0040	±.1016	DATE	REV.
±.0050	±.1270	DATE	REV.
±.0060	±.1524	DATE	REV.
±.0070	±.1778	DATE	REV.
±.0080	±.2032	DATE	REV.
±.0090	±.2286	DATE	REV.
±.0100	±.2540	DATE	REV.
±.0125	±.3175	DATE	REV.
±.0150	±.3810	DATE	REV.
±.0200	±.5080	DATE	REV.
±.0250	±.6350	DATE	REV.
±.0300	±.7620	DATE	REV.
±.0400	±.1016	DATE	REV.
±.0500	±.1270	DATE	REV.
±.0600	±.1524	DATE	REV.
±.0700	±.1778	DATE	REV.
±.0800	±.2032	DATE	REV.
±.0900	±.2286	DATE	REV.
±.1000	±.2540	DATE	REV.
±.1250	±.3175	DATE	REV.
±.1500	±.3810	DATE	REV.
±.1750	±.4445	DATE	REV.
±.2000	±.5080	DATE	REV.
±.2500	±.6350	DATE	REV.
±.3000	±.7620	DATE	REV.
±.3750	±.9525	DATE	REV.
±.4500	±.11430	DATE	REV.
±.5250	±.13305	DATE	REV.
±.6000	±.15180	DATE	REV.
±.7500	±.19050	DATE	REV.
±.9000	±.22920	DATE	REV.
±.10000	±.25400	DATE	REV.
±.12500	±.31750	DATE	REV.
±.15000	±.38100	DATE	REV.
±.17500	±.44450	DATE	REV.
±.20000	±.50800	DATE	REV.
±.25000	±.63500	DATE	REV.
±.30000	±.76200	DATE	REV.
±.37500	±.95250	DATE	REV.
±.45000	±.114300	DATE	REV.
±.52500	±.133050	DATE	REV.
±.60000	±.151800	DATE	REV.
±.75000	±.190500	DATE	REV.
±.90000	±.229200	DATE	REV.
±.100000	±.254000	DATE	REV.
±.125000	±.317500	DATE	REV.
±.150000	±.381000	DATE	REV.
±.175000	±.444500	DATE	REV.
±.200000	±.508000	DATE	REV.
±.250000	±.635000	DATE	REV.
±.300000	±.762000	DATE	REV.
±.375000	±.952500	DATE	REV.
±.450000	±.1143000	DATE	REV.
±.525000	±.1330500	DATE	REV.
±.600000	±.1518000	DATE	REV.
±.750000	±.1905000	DATE	REV.
±.900000	±.2292000	DATE	REV.
±.1000000	±.2540000	DATE	REV.
±.1250000	±.3175000	DATE	REV.
±.1500000	±.3810000	DATE	REV.
±.1750000	±.4445000	DATE	REV.
±.2000000	±.5080000	DATE	REV.
±.2500000	±.6350000	DATE	REV.
±.3000000	±.7620000	DATE	REV.
±.3750000	±.9525000	DATE	REV.
±.4500000	±.11430000	DATE	REV.
±.5250000	±.13305000	DATE	REV.
±.6000000	±.15180000	DATE	REV.
±.7500000	±.19050000	DATE	REV.
±.9000000	±.22920000	DATE	REV.
±.10000000	±.25400000	DATE	REV.
±.12500000	±.31750000	DATE	REV.
±.15000000	±.38100000	DATE	REV.
±.17500000	±.44450000	DATE	REV.
±.20000000	±.50800000	DATE	REV.
±.25000000	±.63500000	DATE	REV.
±.30000000	±.76200000	DATE	REV.
±.37500000	±.95250000	DATE	REV.
±.45000000	±.114300000	DATE	REV.
±.52500000	±.133050000	DATE	REV.
±.60000000	±.151800000	DATE	REV.
±.75000000	±.190500000	DATE	REV.
±.90000000	±.229200000	DATE	REV.
±.100000000	±.254000000	DATE	REV.
±.125000000	±.317500000	DATE	REV.
±.150000000	±.381000000	DATE	REV.
±.175000000	±.444500000	DATE	REV.
±.200000000	±.508000000	DATE	REV.
±.250000000	±.635000000	DATE	REV.
±.300000000	±.762000000	DATE	REV.
±.375000000	±.952500000	DATE	REV.
±.450000000	±.1143000000	DATE	REV.
±.525000000	±.1330500000	DATE	REV.
±.600000000	±.1518000000	DATE	REV.
±.750000000	±.1905000000	DATE	REV.
±.900000000	±.2292000000	DATE	REV.
±.1000000000	±.2540000000	DATE	REV.
±.1250000000	±.3175000000	DATE	REV.
±.1500000000	±.3810000000	DATE	REV.
±.1750000000	±.4445000000	DATE	REV.
±.2000000000	±.5080000000	DATE	REV.
±.2500000000	±.6350000000	DATE	REV.
±.3000000000	±.7620000000	DATE	REV.
±.3750000000	±.9525000000	DATE	REV.
±.4500000000	±.11430000000	DATE	REV.
±.5250000000	±.13305000000	DATE	REV.
±.6000000000	±.15180000000	DATE	REV.
±.7500000000	±.19050000000	DATE	REV.
±.9000000000	±.22920000000	DATE	REV.
±.10000000000	±.25400000000	DATE	REV.
±.12500000000	±.31750000000	DATE	REV.
±.15000000000	±.38100000000	DATE	REV.
±.17500000000	±.44450000000	DATE	REV.
±.20000000000	±.50800000000	DATE	REV.
±.25000000000	±.63500000000	DATE	REV.
±.30000000000	±.76200000000	DATE	REV.
±.37500000000	±.95250000000	DATE	REV.
±.45000000000	±.114300000000	DATE	REV.
±.52500000000	±.133050000000	DATE	REV.
±.60000000000	±.151800000000	DATE	REV.
±.75000000000	±.190500000000	DATE	REV.
±.90000000000	±.229200000000	DATE	REV.
±.100000000000	±.254000000000	DATE	REV.
±.125000000000	±.317500000000	DATE	REV.
±.150000000000	±.381000000000	DATE	REV.
±.175000000000	±.444500000000	DATE	REV.
±.200000000000	±.508000000000	DATE	REV.
±.250000000000	±.635000000000	DATE	REV.
±.300000000000	±.762000000000	DATE	REV.
±.375000000000	±.952500000000	DATE	REV.
±.450000000000	±.1143000000000	DATE	REV.
±.525000000000	±.1330500000000	DATE	REV.
±.600000000000	±.1518000000000	DATE	REV.
±.750000000000	±.1905000000000	DATE	REV.
±.900000000000	±.2292000000000	DATE	REV.
±.1000000000000	±.2540000000000	DATE	REV.
±.1250000000000	±.3175000000000	DATE	REV.
±.1500000000000	±.3810000000000	DATE	REV.
±.1750000000000	±.4445000000000	DATE	REV.
±.2000000000000	±.5080000000000	DATE	REV.
±.2500000000000	±.6350000000000	DATE	REV.
±.3000000000000	±.7620000000000	DATE	REV.
±.3750000000000	±.9525000000000	DATE	REV.
±.4500000000000	±.11430000000000	DATE	REV.
±.5250000000000	±.13305000000000	DATE	REV.
±.6000000000000	±.15180000000000	DATE	REV.
±.7500000000000	±.19050000000000	DATE	REV.
±.9000000000000	±.22920000000000	DATE	REV.
±.10000000000000	±.25400000000000	DATE	REV.
±.12500000000000	±.31750000000000	DATE	REV.
±.15000000000000	±.38100000000000	DATE	REV.
±.17500000000000	±.44450000000000	DATE	REV.
±.20000000000000	±.50800000000000	DATE	REV.
±.25000000000000	±.63500000000000	DATE	REV.
±.30000000000000	±.76200000000000	DATE	REV.
±.37500000000000	±.95250000000000	DATE	REV.
±.45000000000000	±.114300000000000	DATE	REV.
±.52500000000000	±.133050000000000	DATE	REV.
±.60000000000000	±.151800000000000	DATE	REV.
±.75000000000000	±.190500000000000	DATE	REV.
±.90000000000000	±.229200000000000	DATE	REV.
±.100000000000000	±.254000000000000	DATE	REV.
±.125000000000000	±.317500000000000	DATE	REV.
±.150000000000000	±.381000000000000	DATE	REV.
±.175000000000000	±.444500000000000	DATE	REV.
±.200000000000000	±.508000000000000	DATE	REV.
±.250000000000000	±.635000000000000	DATE	REV.
±.300000000000000	±.762000000000000	DATE	REV.
±.375000000000000	±.952500000000000	DATE	REV.
±.450000000000000	±.1143000000000000	DATE	REV.
±.525000000000000	±.1330500000000000	DATE	REV.
±.600000000000000	±.1518000000000000	DATE	REV.
±.750000000000000	±.1905000000000000	DATE	REV.
±.900000000000000	±.2292000000000000	DATE	REV.
±.1000000000000000	±.2540000000000000	DATE	REV.
±.1250000000000000	±.3175000000000000	DATE	REV.
±.1500000000000000	±.3810000000000000	DATE	REV.
±.1750000000000000	±.4445000000000000	DATE	REV.
±.2000000000000000	±.5080000000000000	DATE	REV.
±.2500000000000000	±.6350000000000000	DATE	REV.
±.3000000000000000	±.7620000000000000	DATE	REV.
±.3750000000000000	±.9525000000000000	DATE	REV.
±.4500000000000000	±.11430000000000000	DATE	REV.
±.5250000000000000	±.13305000000000000	DATE	REV.
±.6000000000000000	±.15180000000000000	DATE	REV.
±.7500000000000000	±.19050000000000000	DATE	REV.
±.9000000000000000	±.22920000000000000	DATE	REV.
±.10000000000000000	±.25400000000000000	DATE	REV.
±.12500000000000000	±.31750000000000000	DATE	REV.
±.15000000000000000	±.38100000000000000	DATE	REV.
±.17500000000000000	±.44450000000000000	DATE	REV.
±.20000000000000000	±.50800000000000000	DATE	REV.
±.25000000000000000	±.63500000000000000	DATE	REV.
±.30000000000000000	±.76200000000000000	DATE	REV.
±.37500000000000000	±.95250000000000000	DATE	REV.
±.45000000000000000	±.114300000000000000	DATE	REV.
±.52500000000000000	±.13		